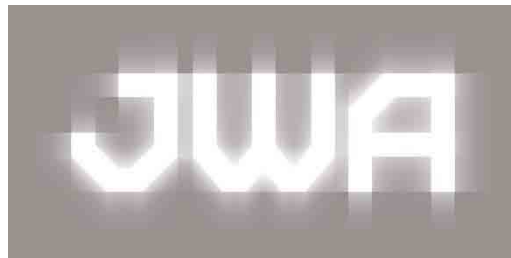
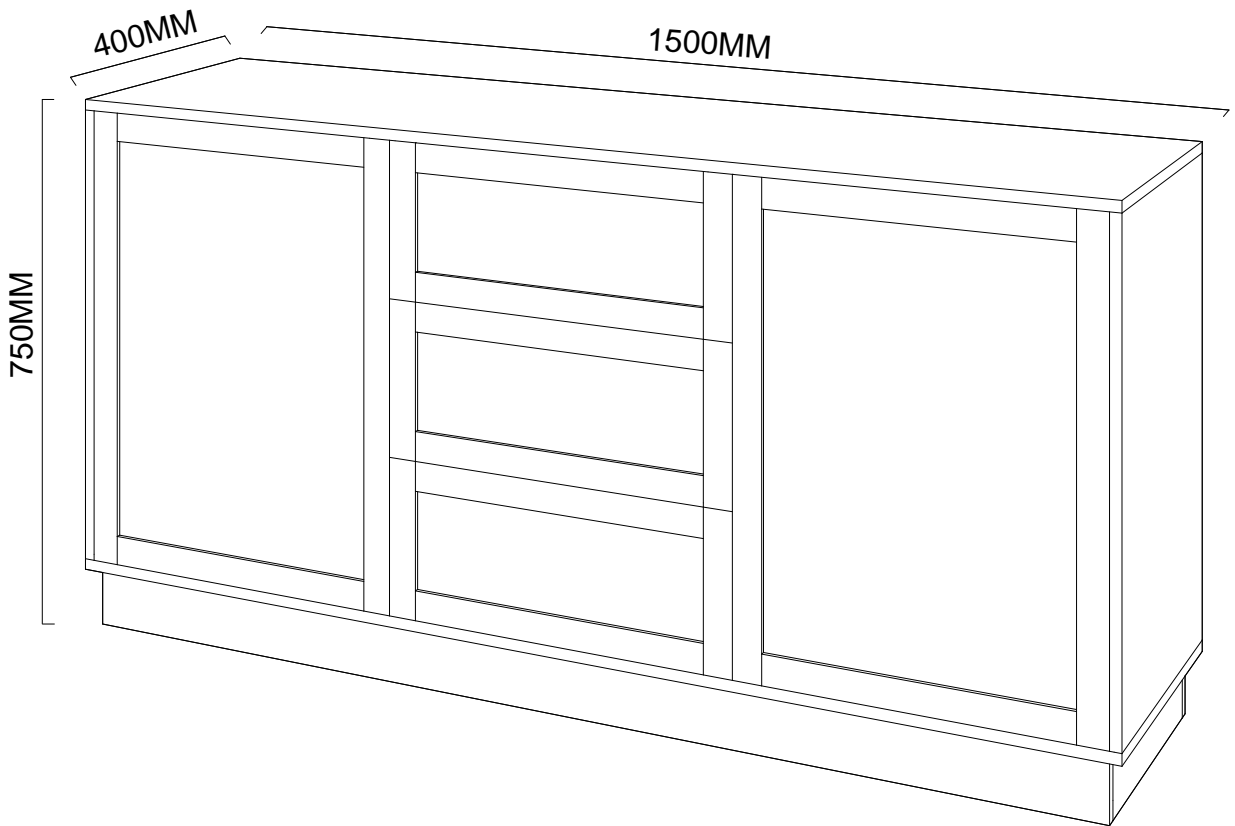


# ASSEMBLY INSTRUCTION

## HUFFMAN

2 DOOR 3 DRW BUFFET

ITEM CODE 77978/77943/77972/77960


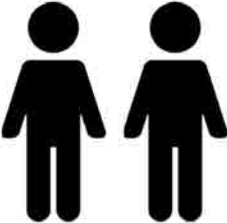
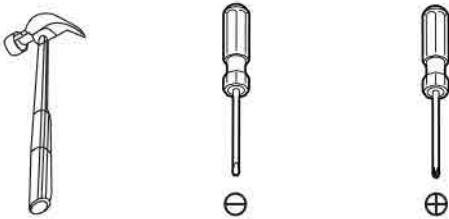


Imported by JWA Furniture Pty Ltd, Qld, Brisbane Australia.  
For any assistance with assembly or for missing parts please refer to your receipt

## PRE-ASSEMBLY PREPARATION

### Before you start:

1. Choose a clean, level, spacious assembly area. Avoid hard surfaces that may damage the product
2. Take care when lifting. Product should be assembled as near as possible to the point of use
3. Ensure that you have all required contents for complete assembly
4. Always read the assembly instructions carefully before beginning assembly.
5. Keep all hardware parts and packaging out of reach of small children.
6. Do not over tighten the screws and bolts as this may damage the threads

		
Allow 1 hour	For 2 person	Additional tools required

### **TIPPING WARNING**



**Serious or fatal injuries may occur from furniture toppling over. To help avoid this please follow the below recommendations:**

- Install the provided "Tipping Kit" as per the instructions
- Never allow children to climb on or hang off of any part of this product
- Unless specifically designed to accommodate, do not set TVs or other heavy objects on top of this product

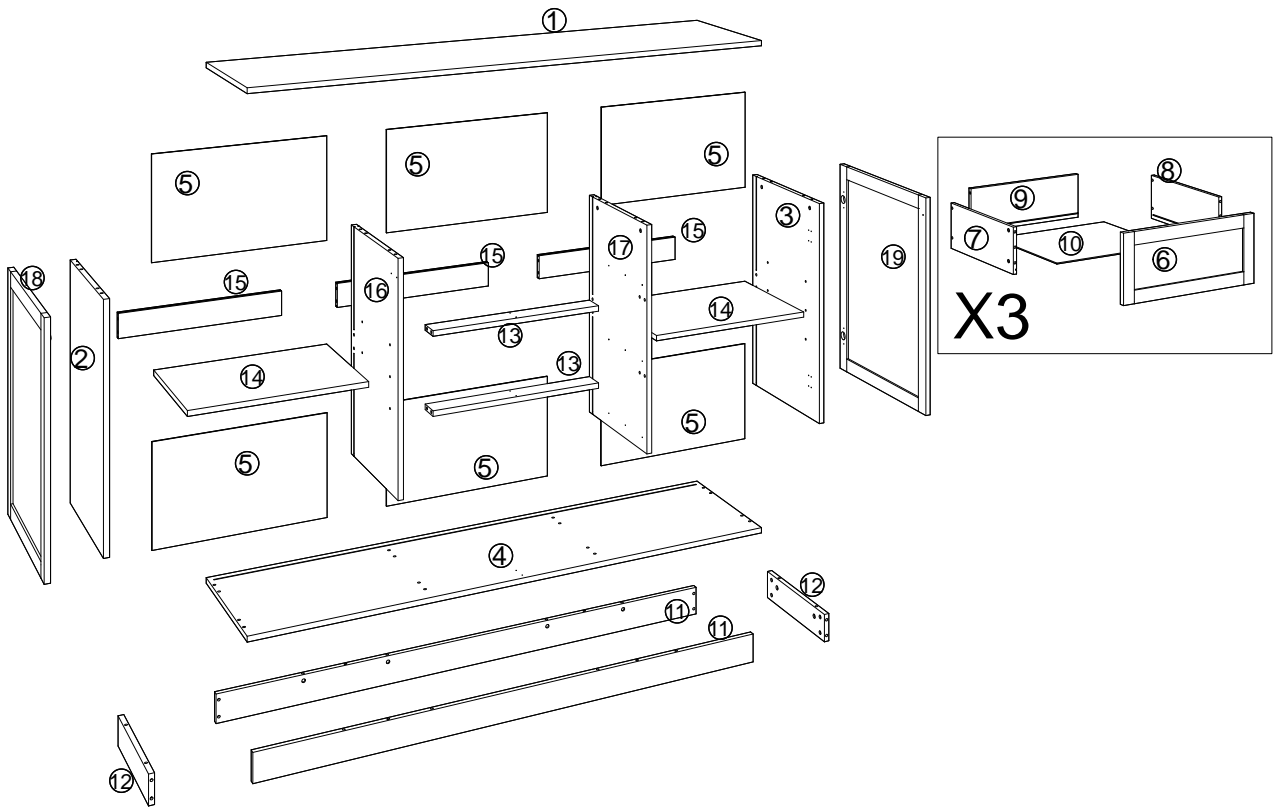
**If this product has drawers:**

- Place the heaviest items in lowest drawers
- Do not open more than 1 drawer at a time as this may cause the product to become unbalanced
- Do not tamper with or remove any drawer interlocking/running system

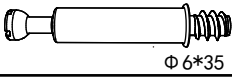
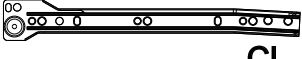

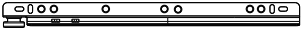


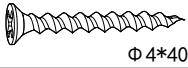


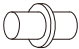
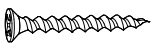



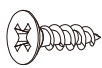
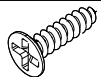
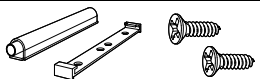

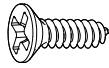
**Note: The use of the provided "Tipping Kit" may reduce but not necessarily eliminate the risk of furniture toppling over. Please use this product with caution.**

*This is a permanent label. Do not attempt to remove!*

# PARTS LIST



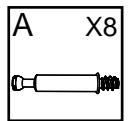
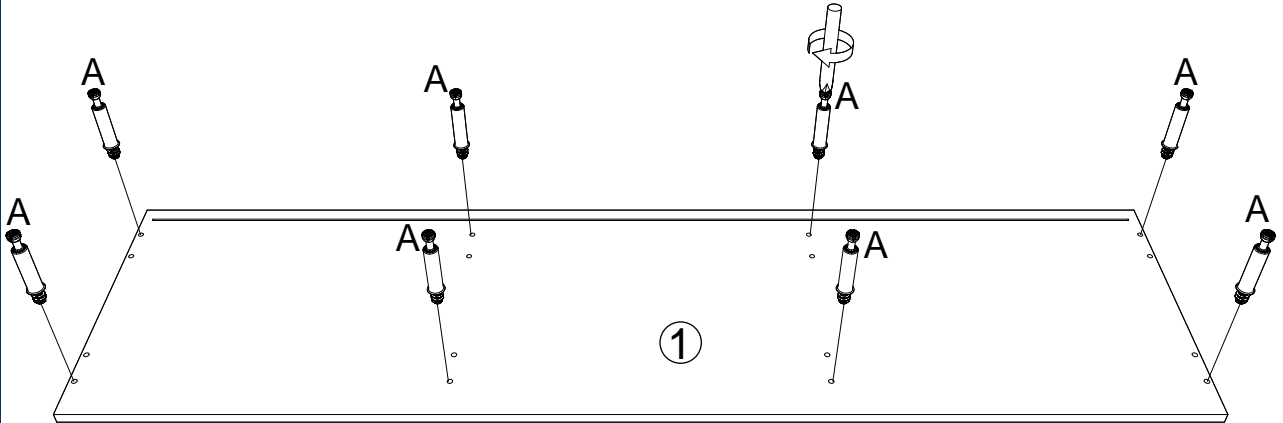
## PARTS LIST

NO.	ITEM	QTY	NO.	ITEM	QTY
A	 Φ 6*35	50PCS	K	 CL	3PCS
B	 Φ 15*10	50PCS		 DL	
C	 Φ 6*30	36PCS		 CR	
D	 Φ 4*40	8PCS		 DR	
E		2PCS	L		8PCS
F	 Φ 4*35	12PCS	M		4PCS
G		24PCS	N		4PCS
H	 Φ 3*16	24PCS	O	 Φ 4*14	24PCS
I		5PCS	P		5PCS
J	 Φ 3*12	36PCS			

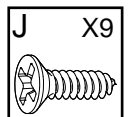
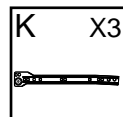
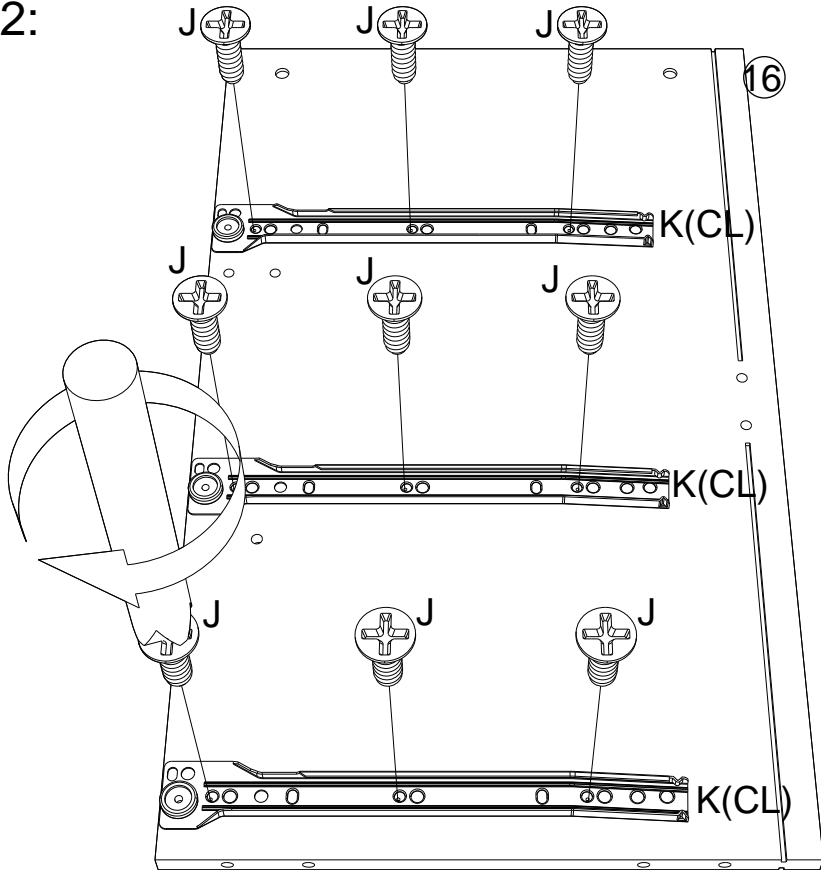
## PARTS LIST

NO.	ITEM	QTY	NO.	ITEM	QTY
①	TOP PANEL	1 PC	⑪	LEG	2 PCS
②	LEFT SIDE PANEL	1 PC	⑫	LEG	2 PCS
③	RIGHT SIDE PANEL	1 PC	⑬	CROSSING BAR	2 PCS
④	BOTTOM PANEL	1 PC	⑭	SHELF PANEL	2 PCS
⑤	BACK PANEL	6 PCS	⑮	MIDDLE SUPPORT PANEL	3 PCS
⑥	DRAWER FRONT PANEL	3 PCS	⑯	LEFT MIDDLE PANEL	1 PC
⑦	DRAWER LEFT SIDE PANEL	3 PCS	⑰	RIGHT MIDDLE PANEL	1 PC
⑧	DRAWER RIGHT SIDE PANEL	3 PCS	⑱	LEFT DOOR PANEL	1 PC
⑨	DRAWER BACK PANEL	3 PCS	⑲	RIGHT DOOR PANEL	1 PC
⑩	DRAWER BOTTOM PANEL	3 PCS			

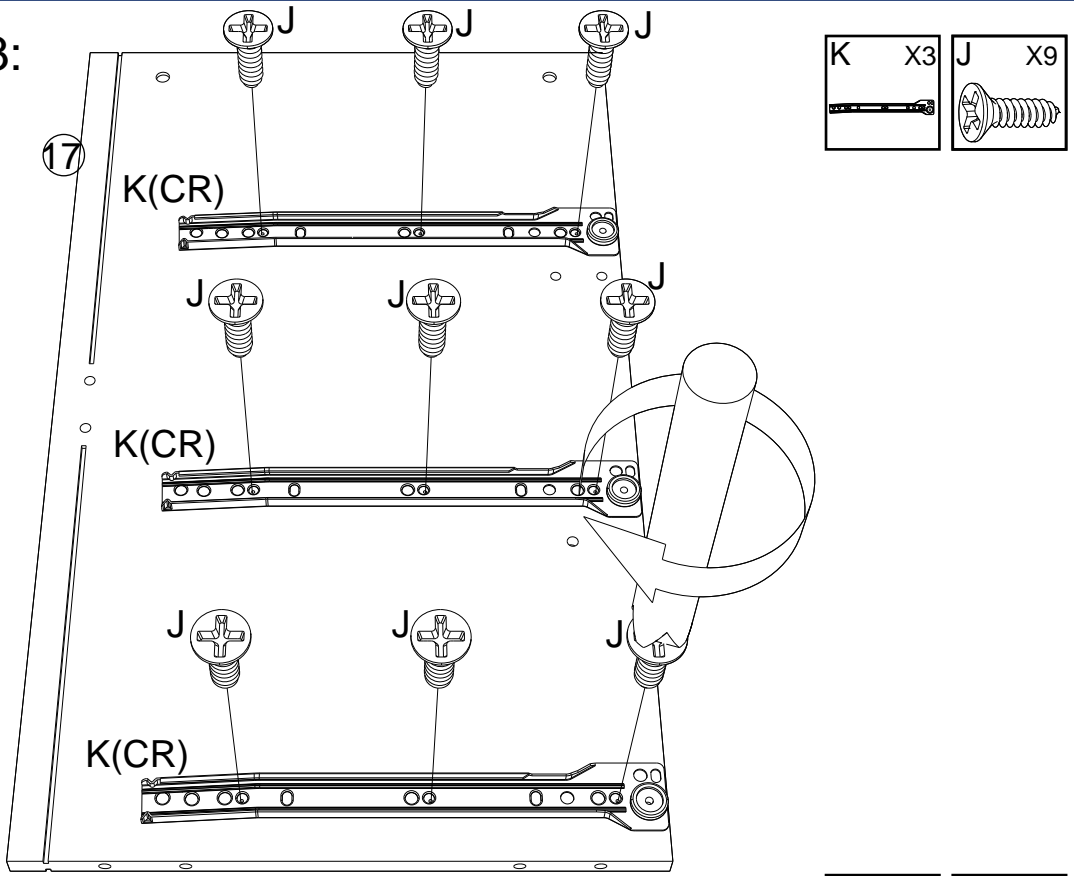
# STEP 1:



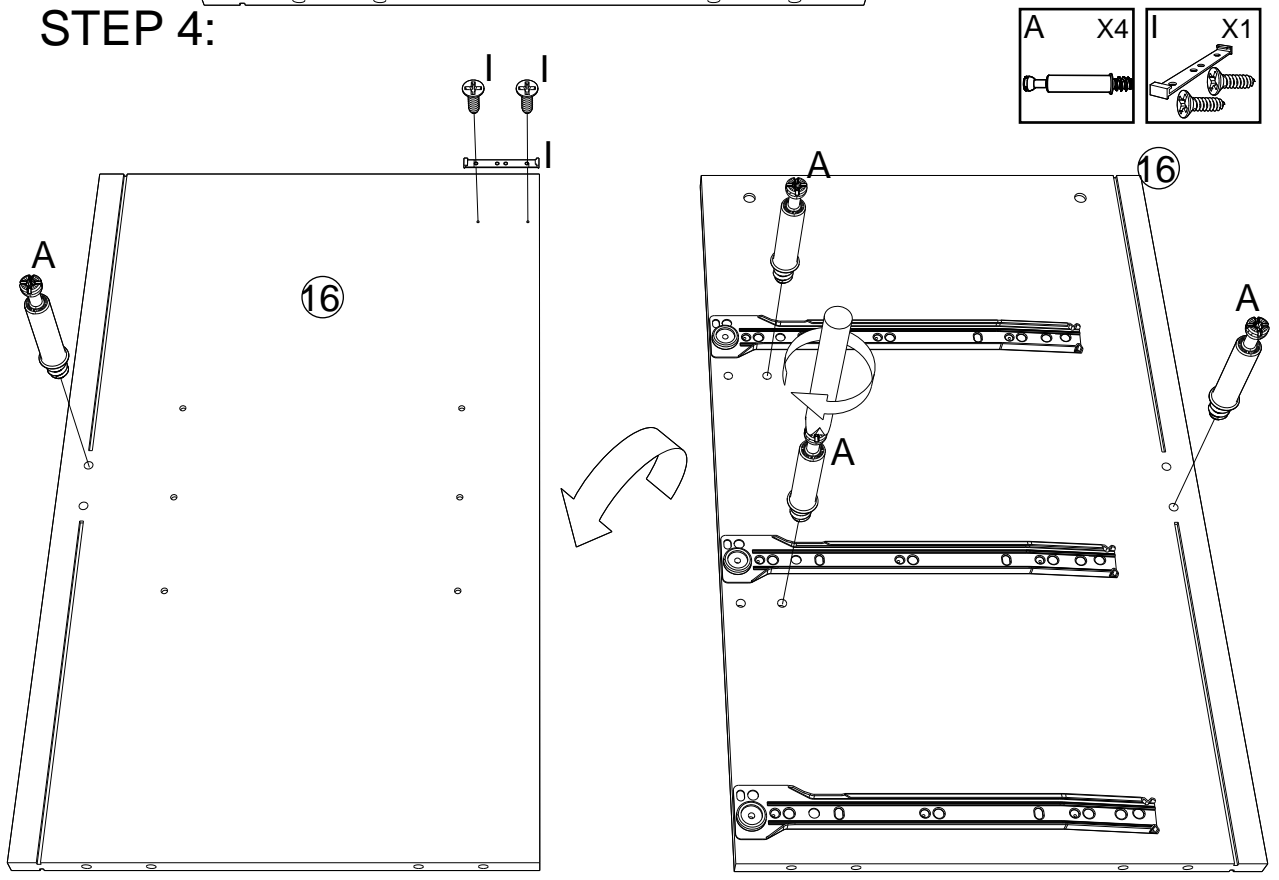
# STEP 2:



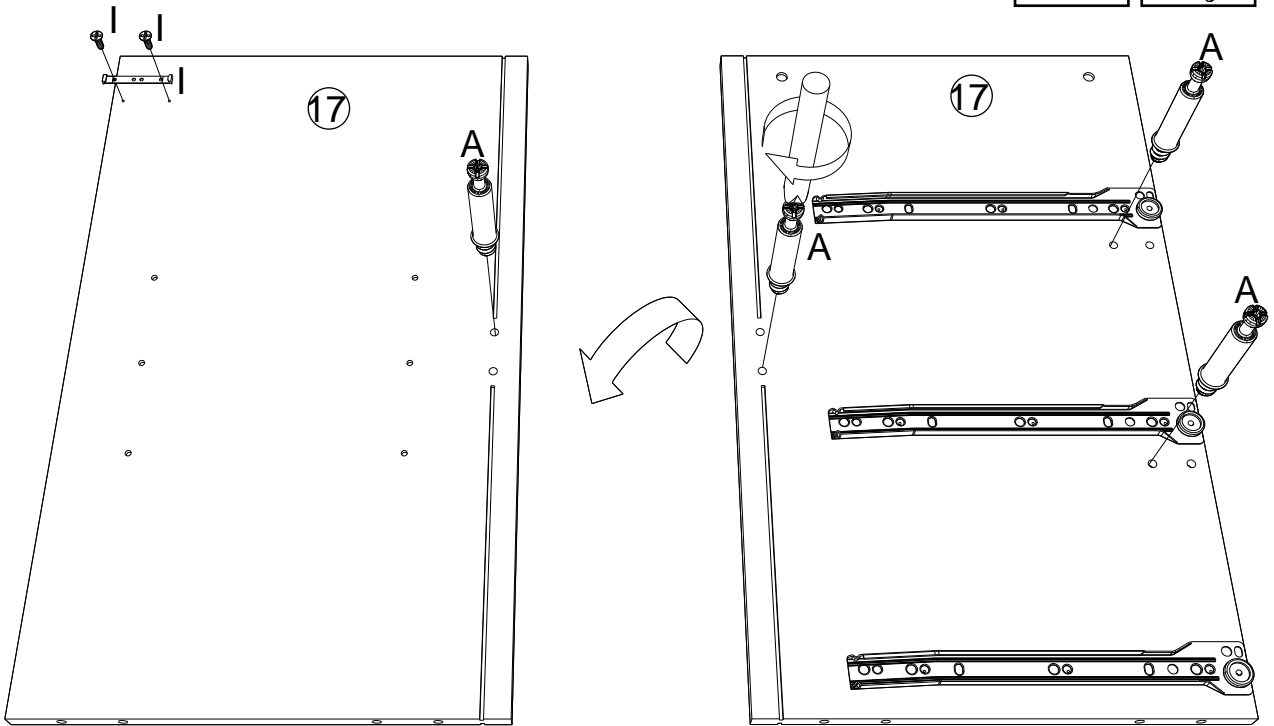
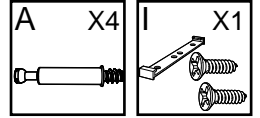
### STEP 3:



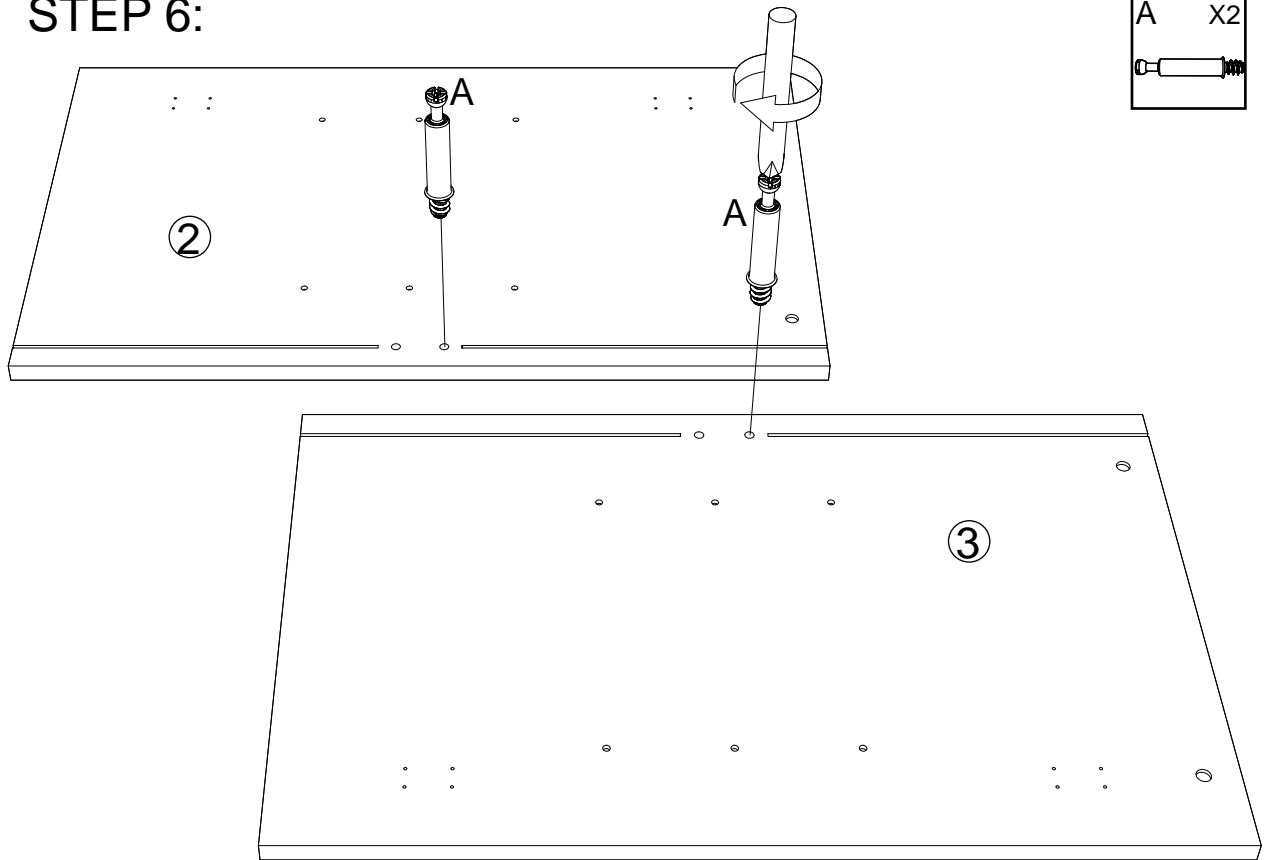
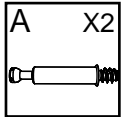
### STEP 4:



# STEP 5:

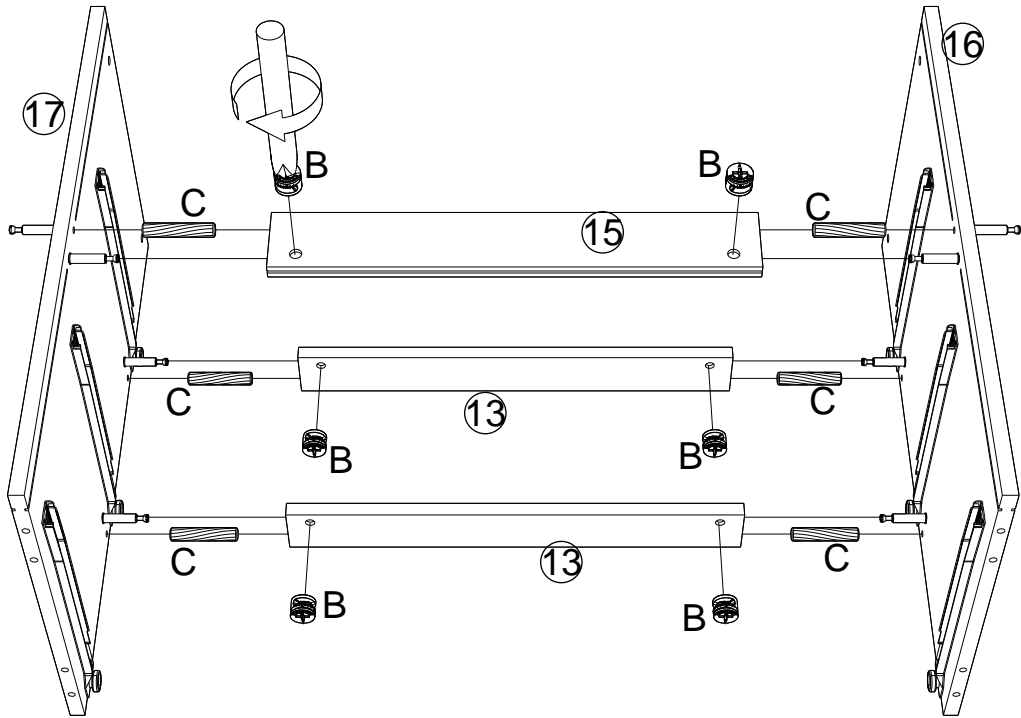
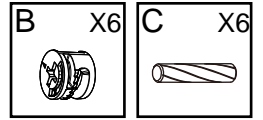


# STEP 6:

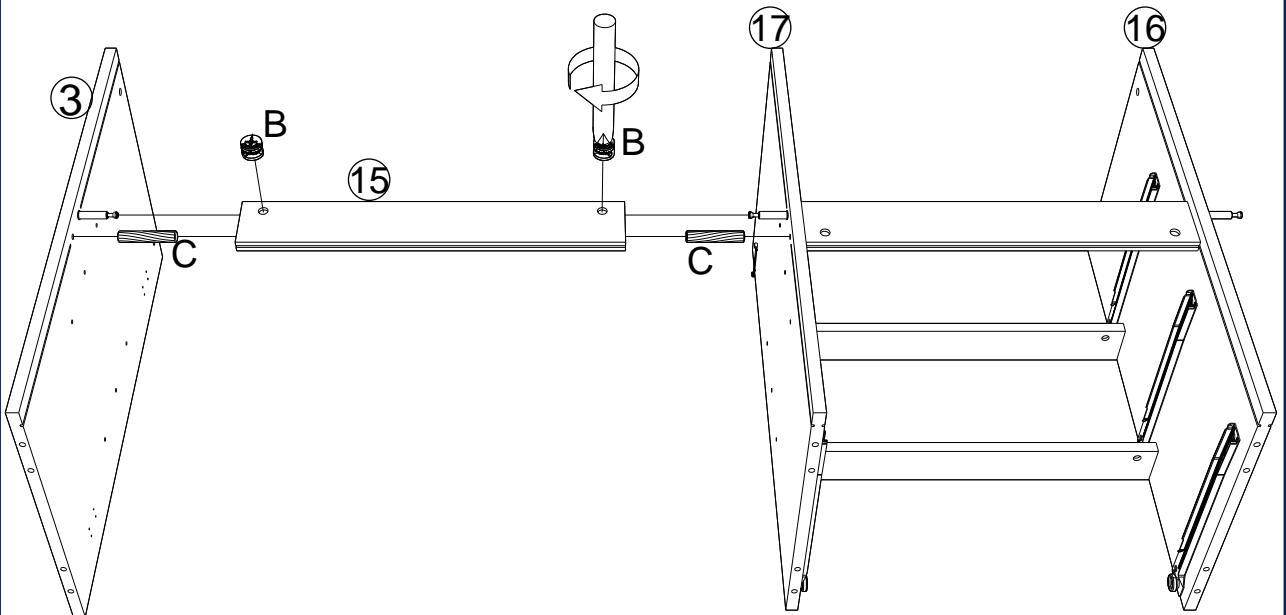
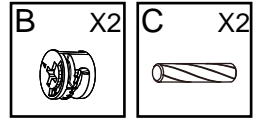




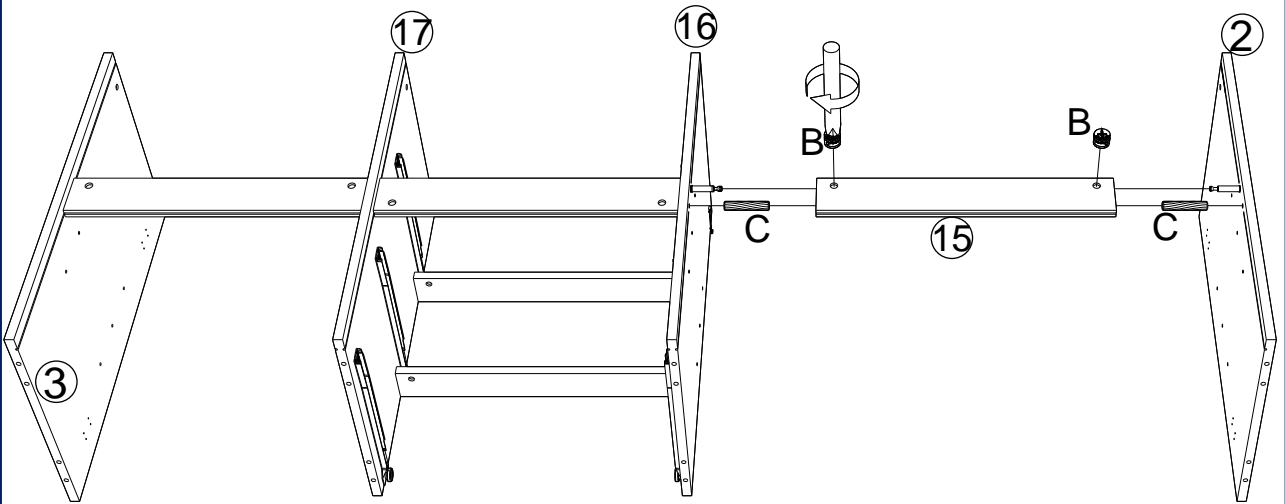
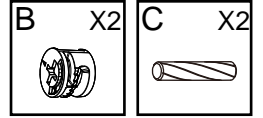
# STEP 7:



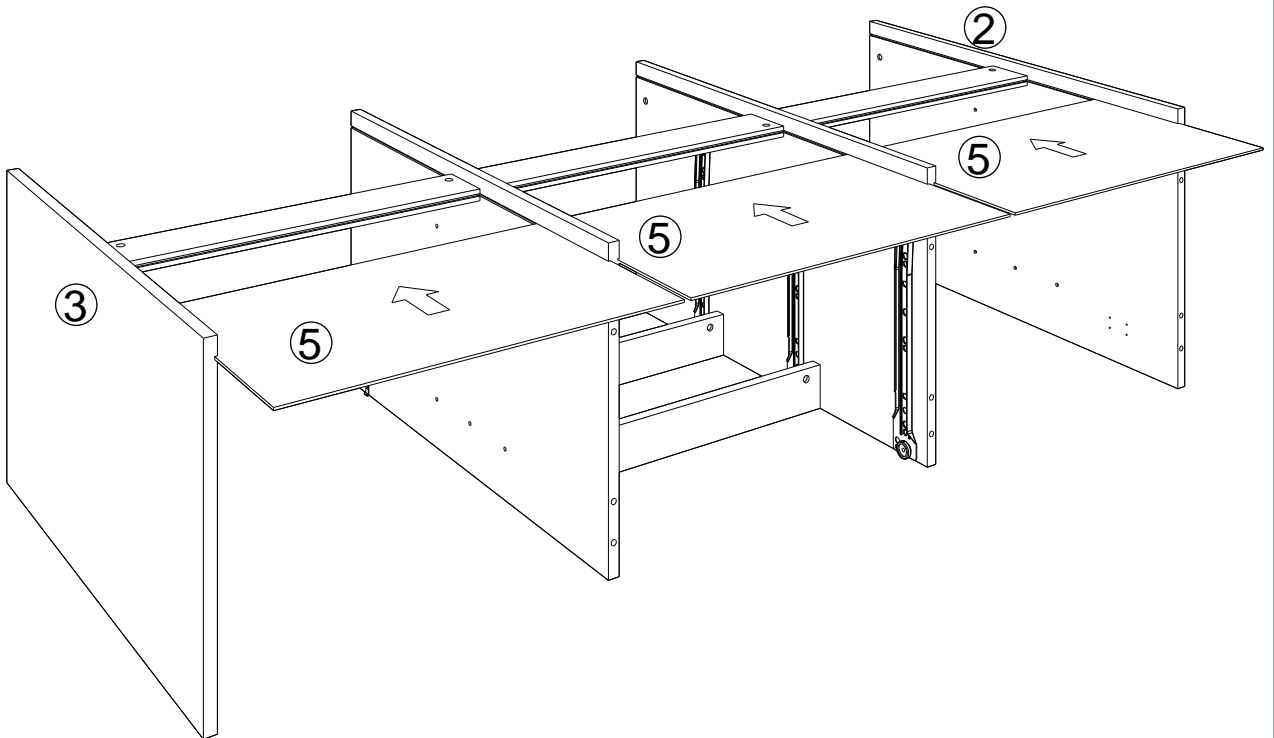
# STEP 8:



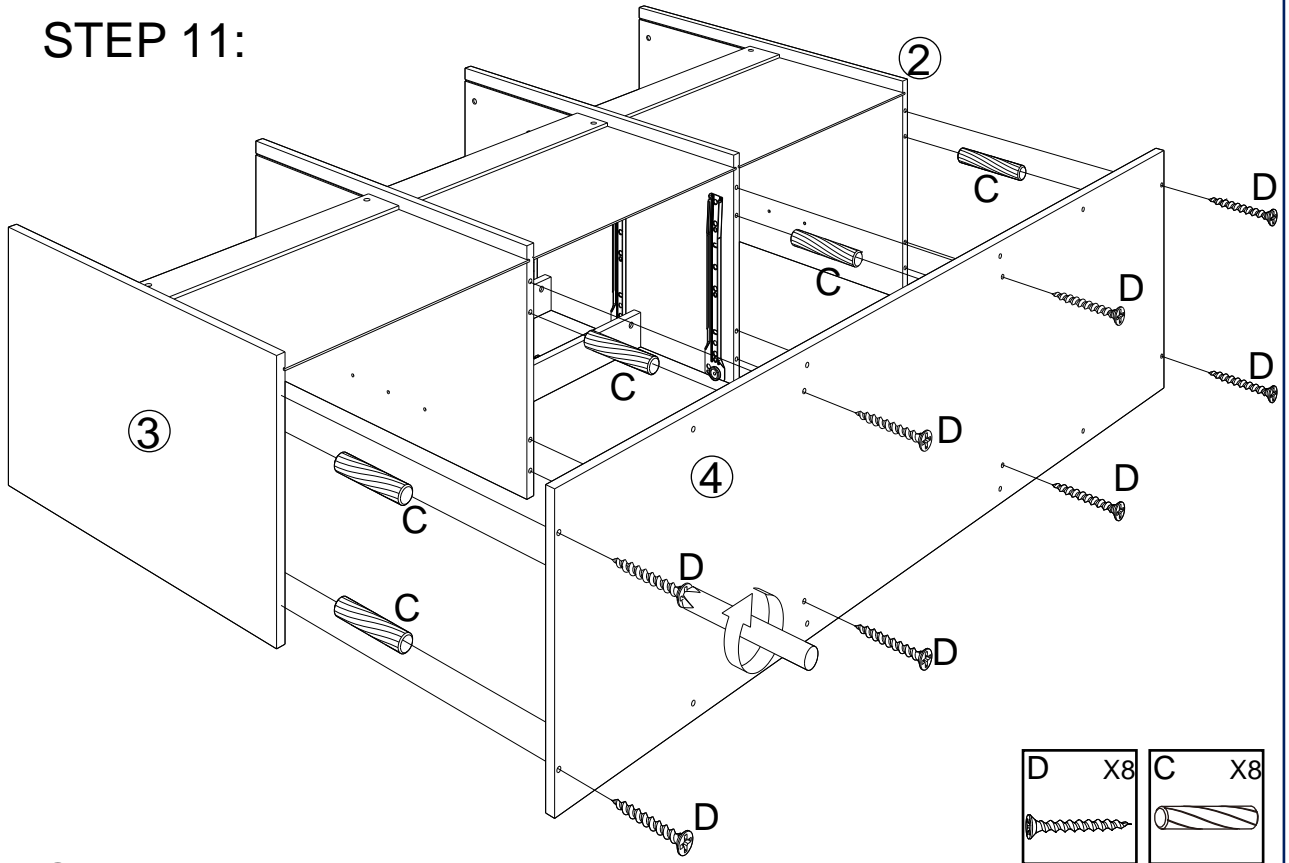
# STEP 9:



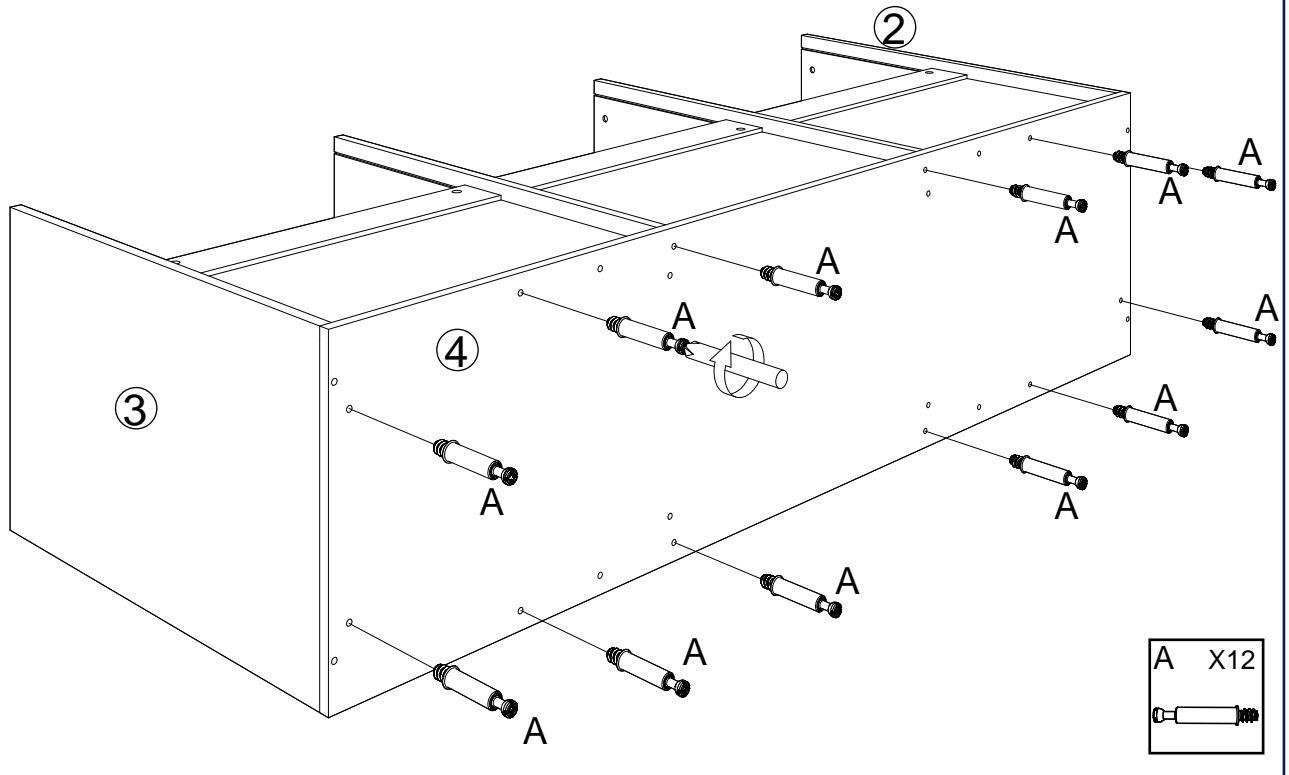
# STEP 10:



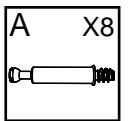
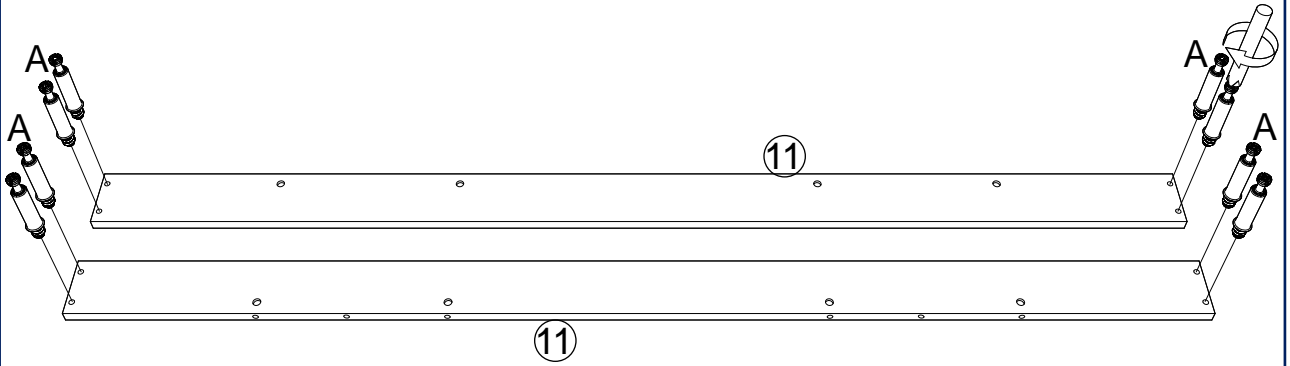
# STEP 11:



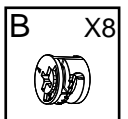
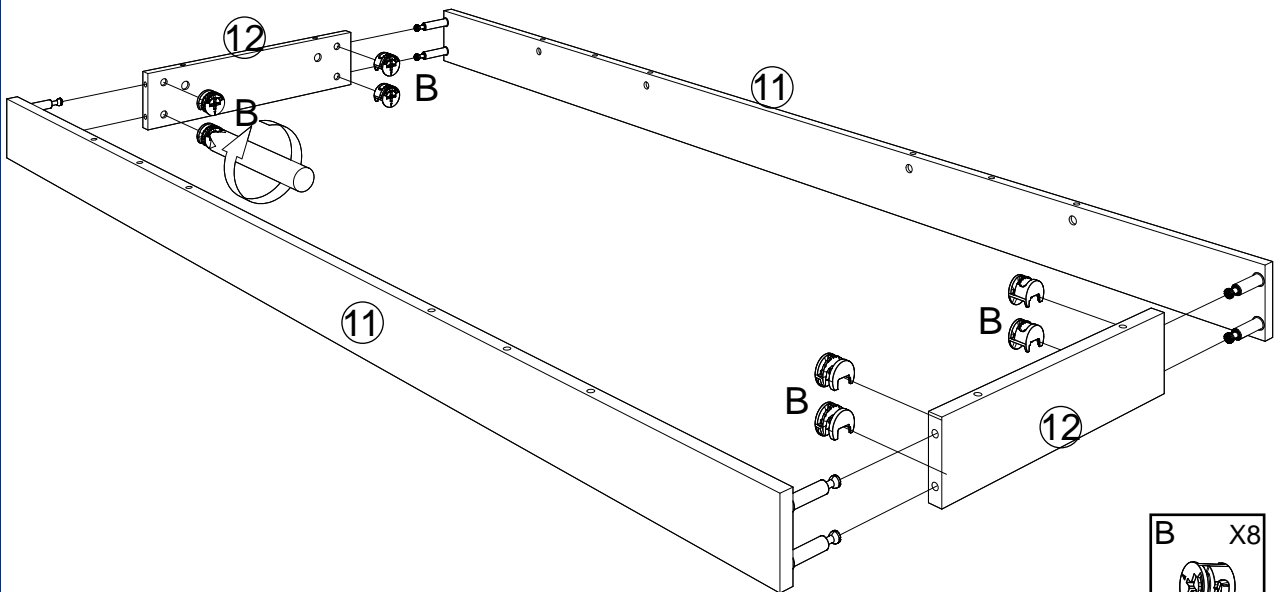
# STEP 12:



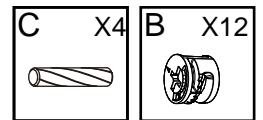
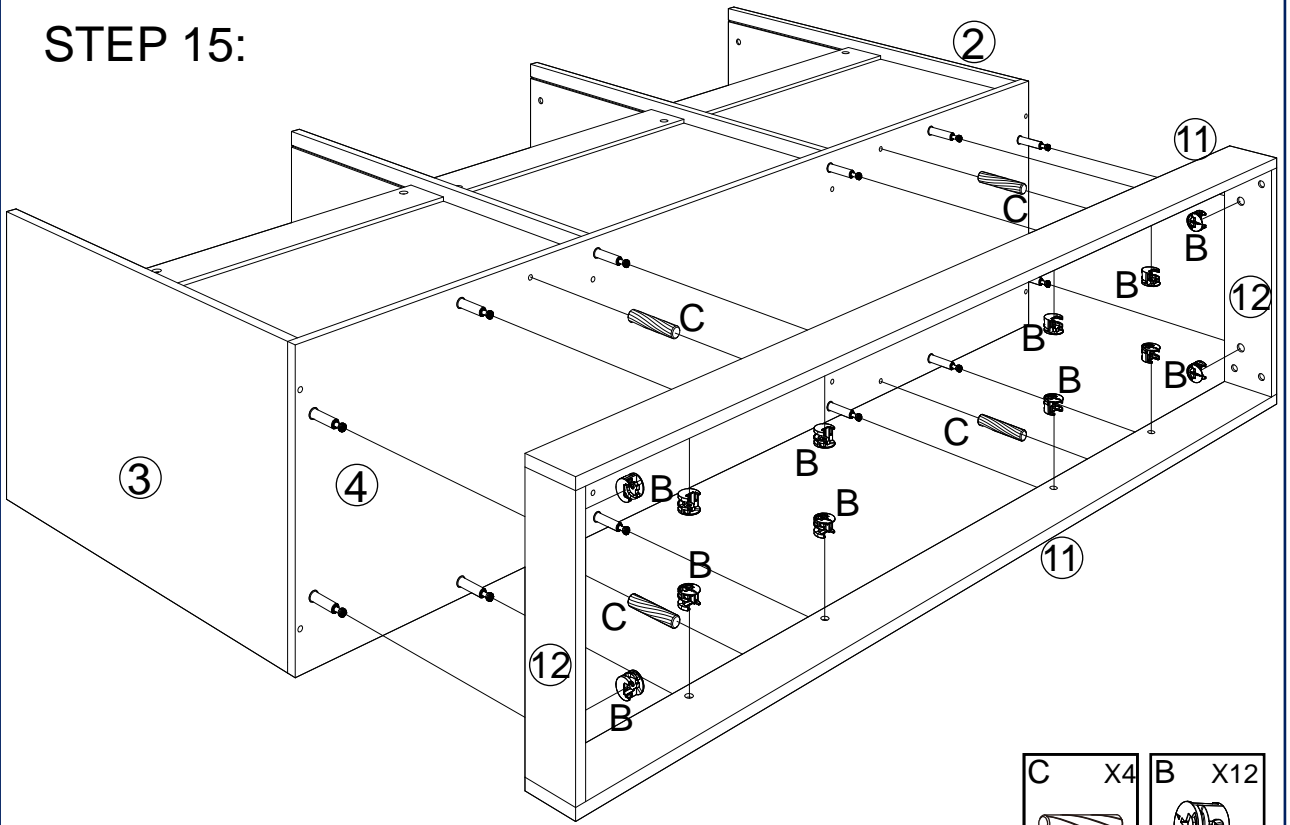
# STEP 13:



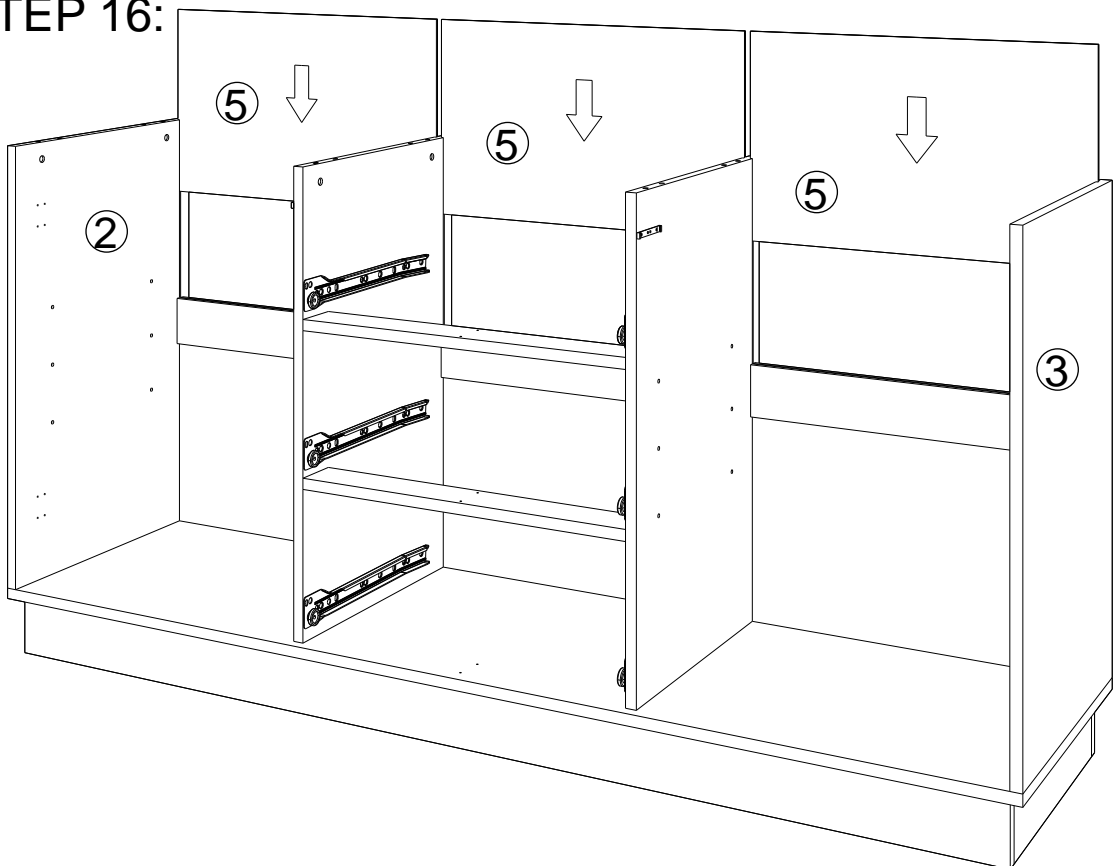
# STEP 14:



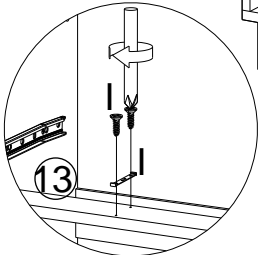
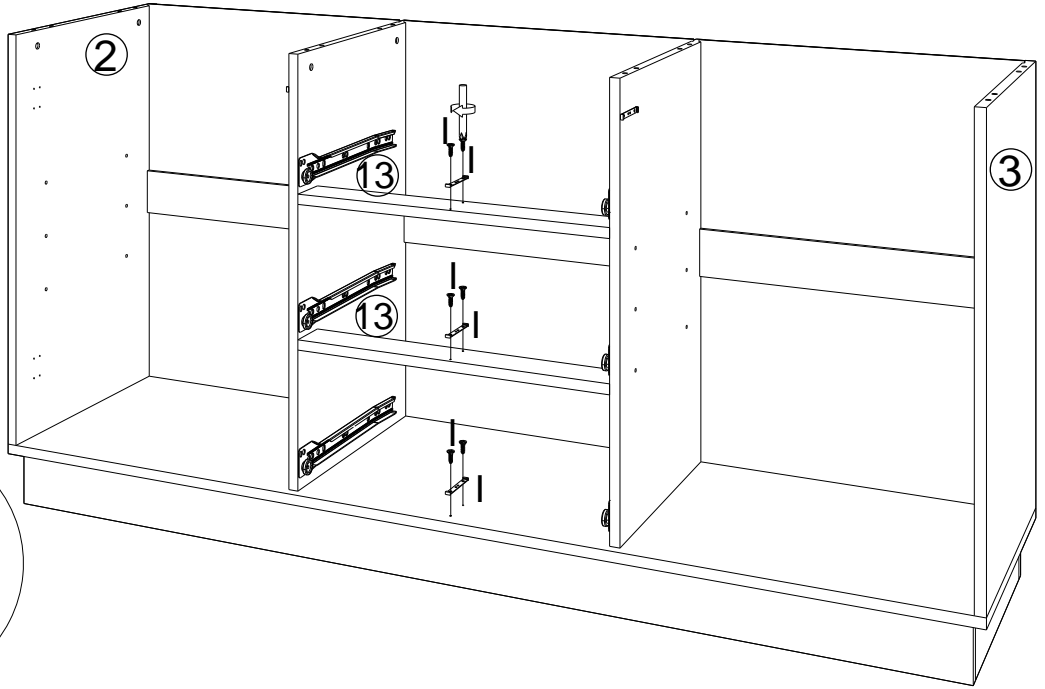
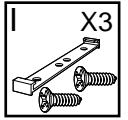
# STEP 15:



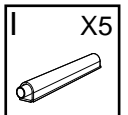
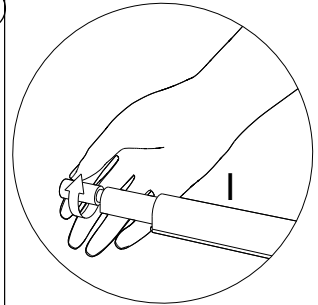
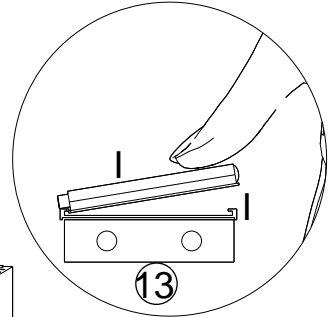
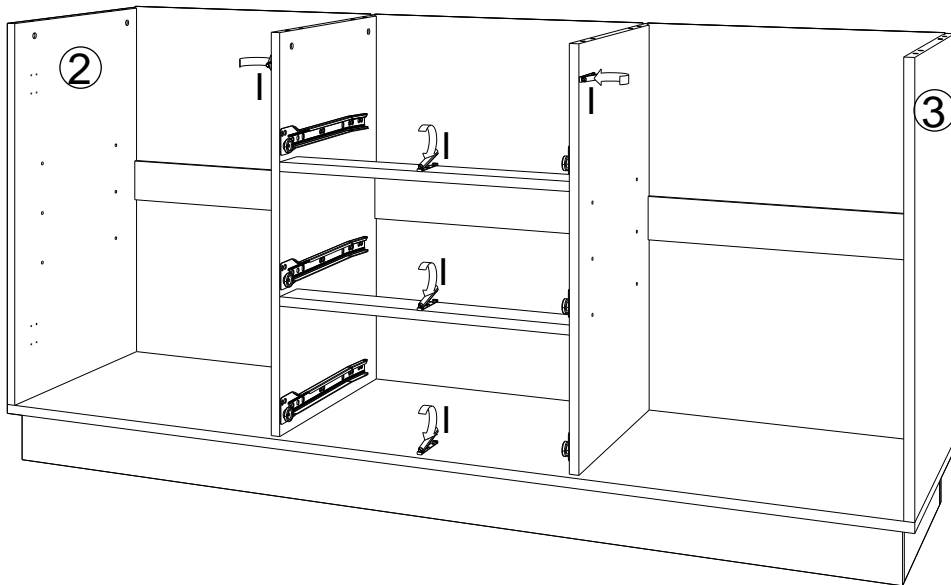
# STEP 16:



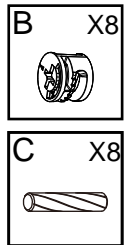
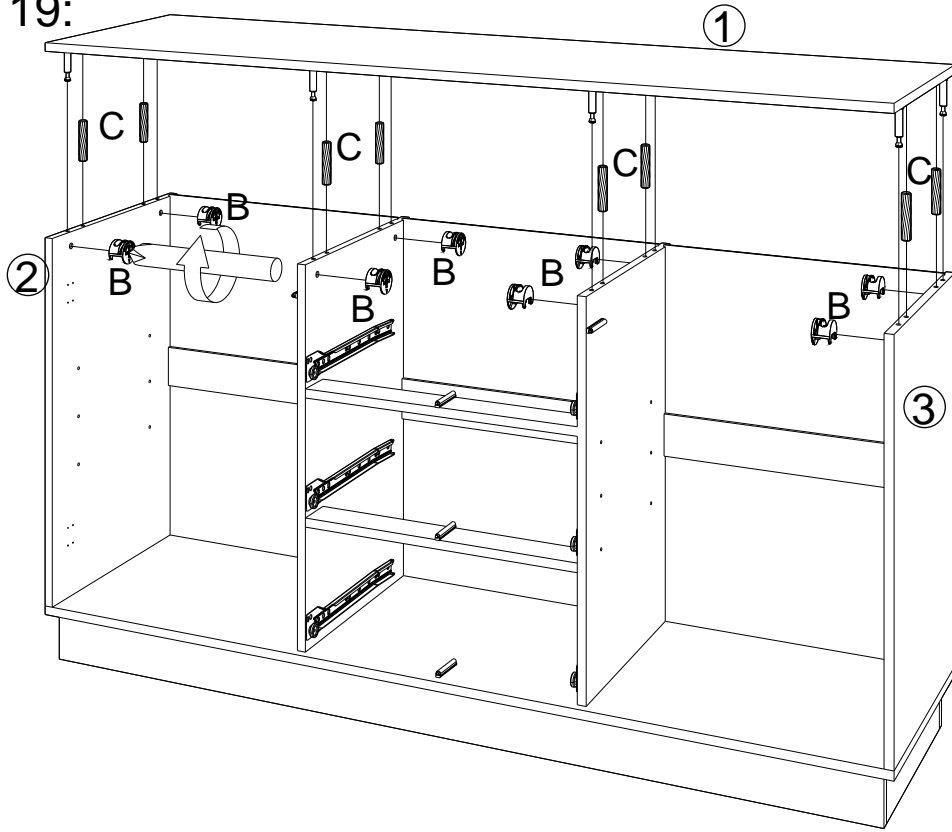
# STEP 17:



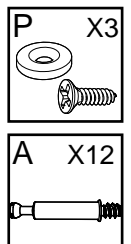
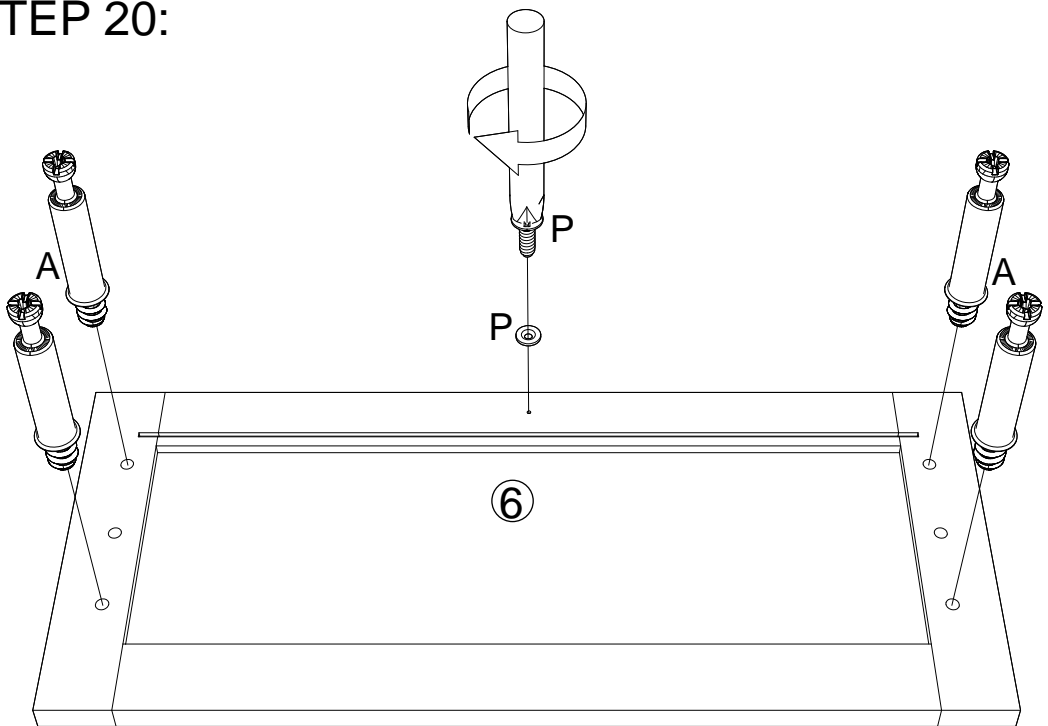
# STEP 18:



# STEP 19:

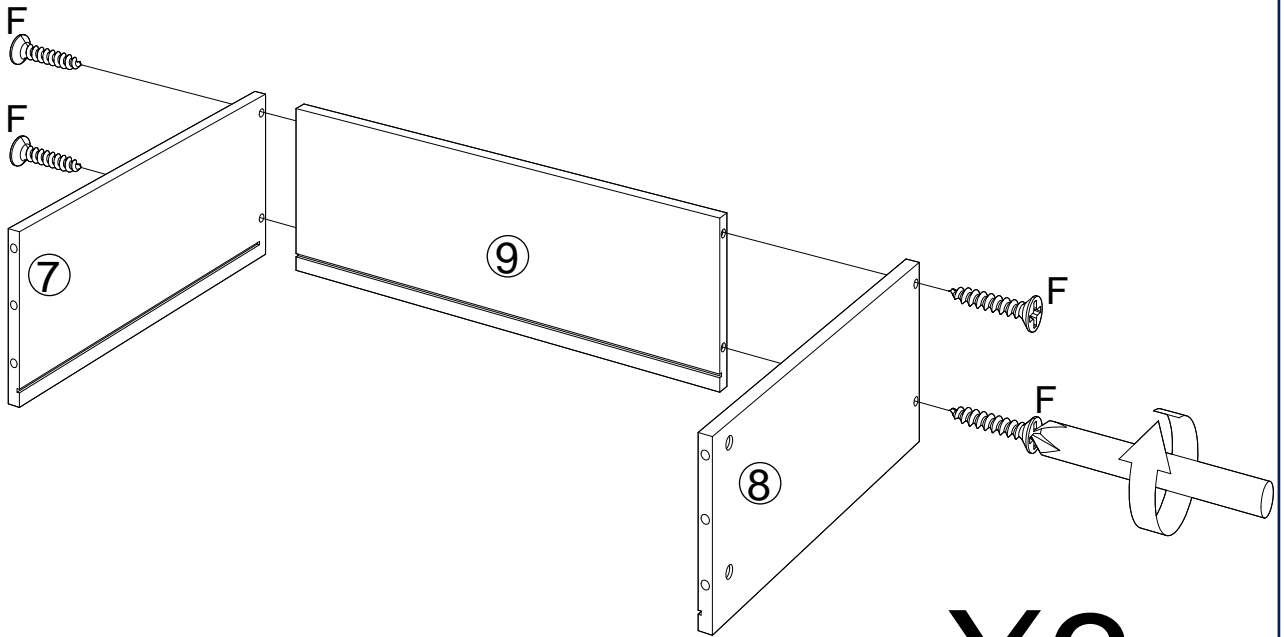


# STEP 20:



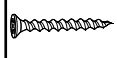
# X3

# STEP 21:

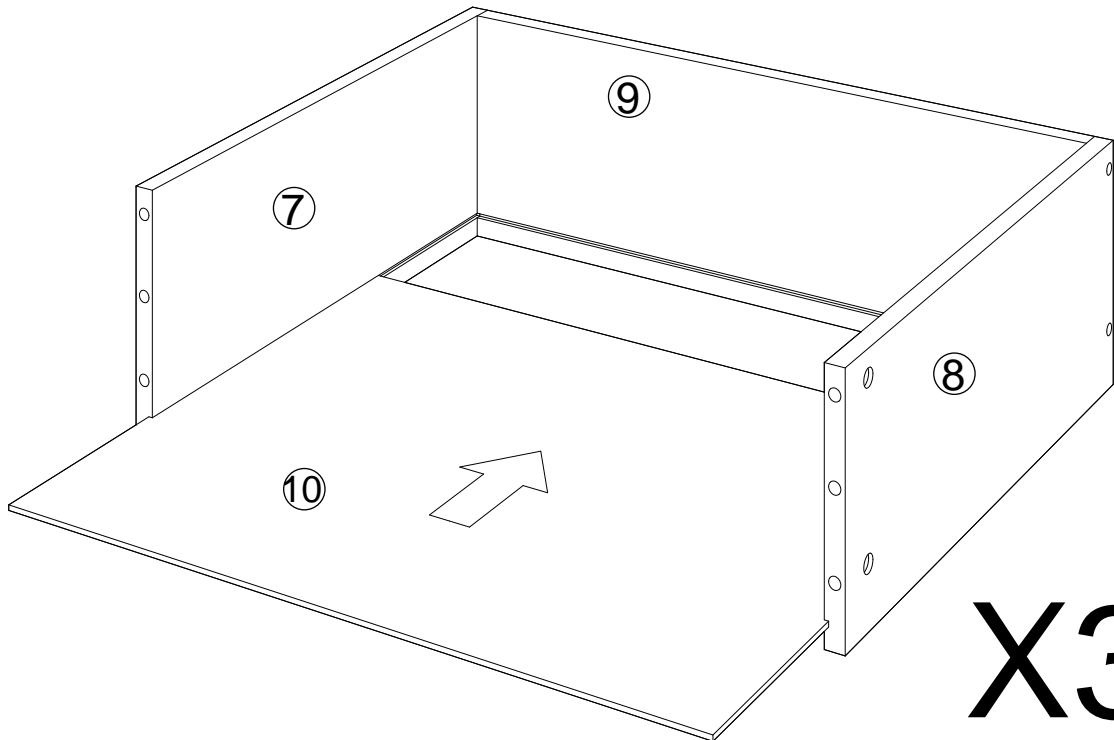


**X3**

F	X12
---	-----



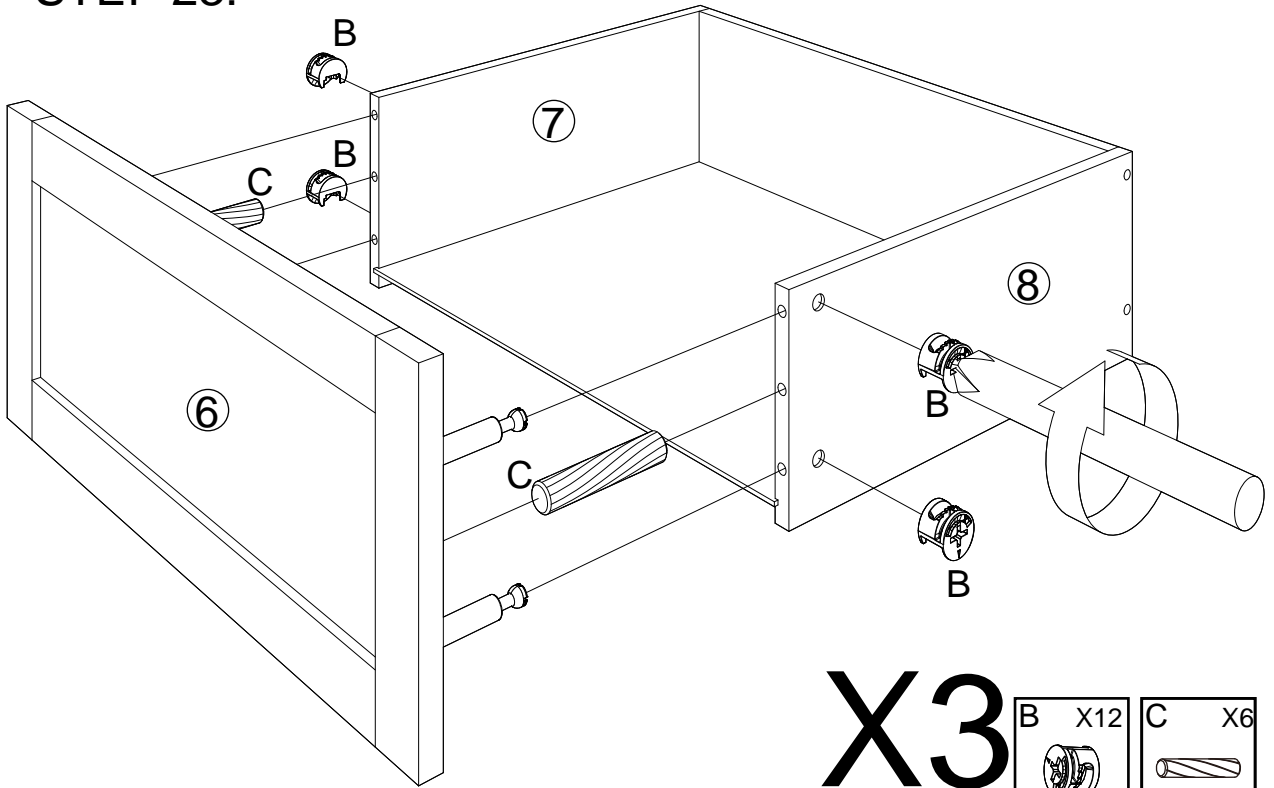
# STEP 22:



**X3**



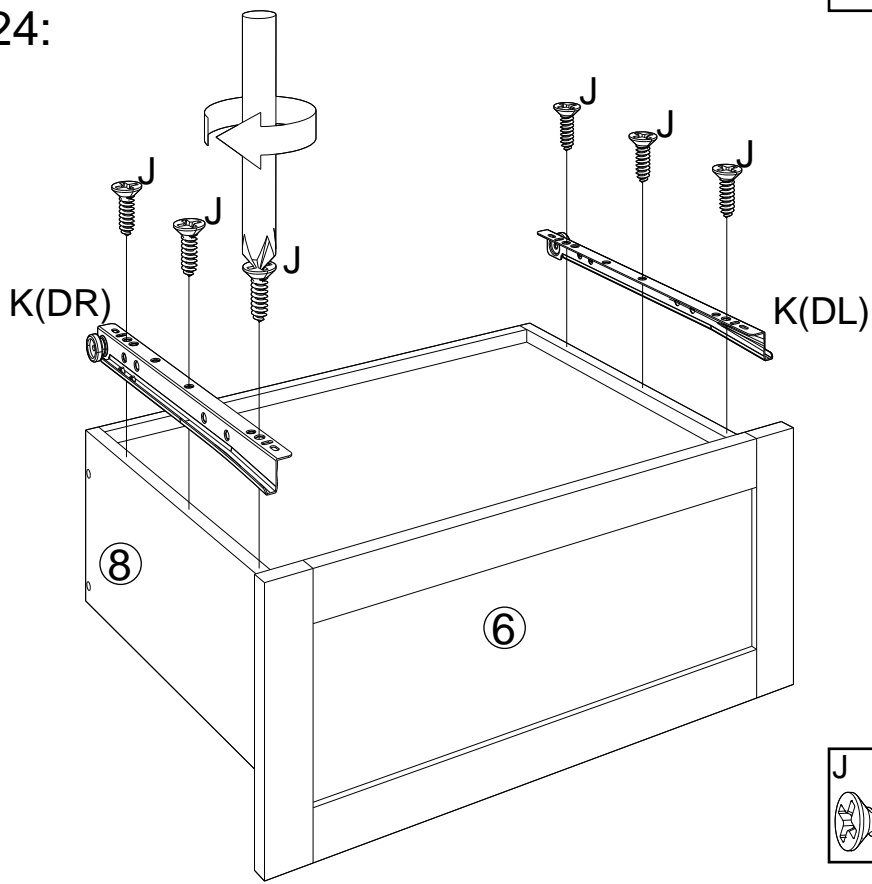
STEP 23:



**X3**

B	X12	C	X6

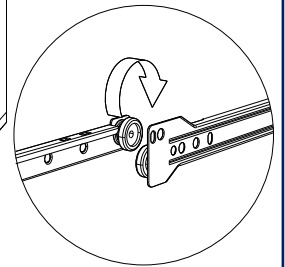
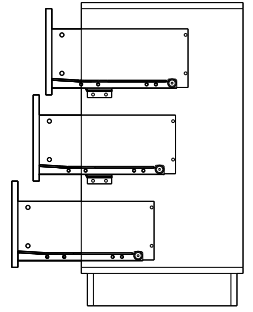
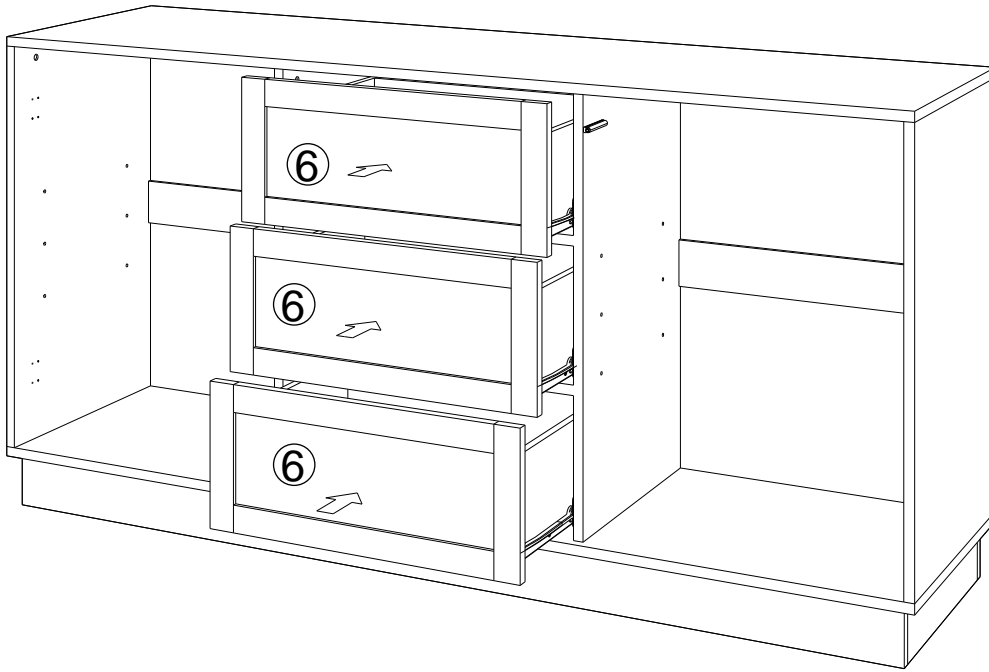
STEP 24:



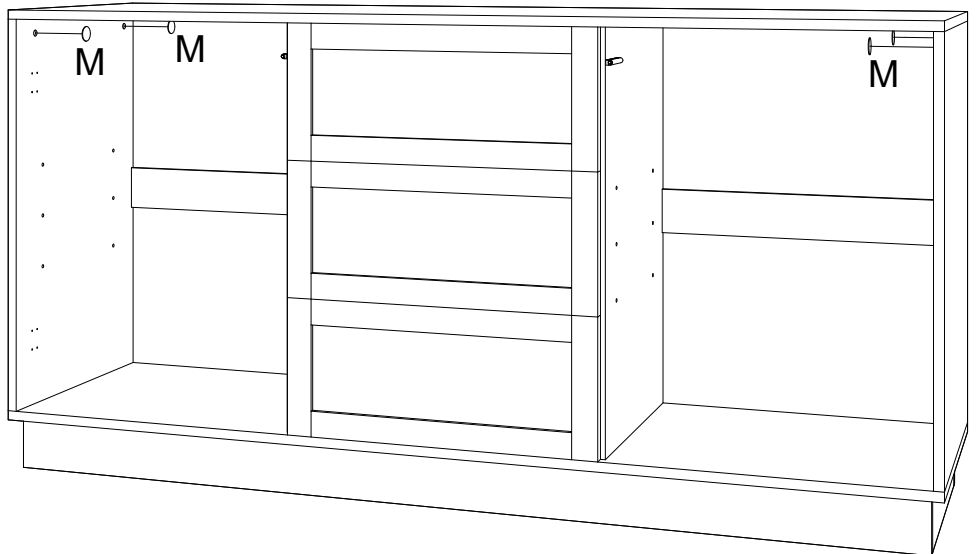
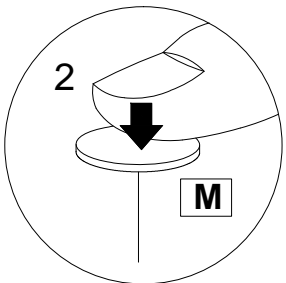
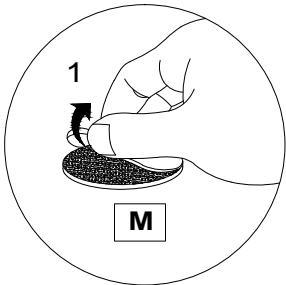
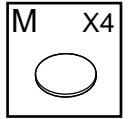
**X3**

J	X18	K	X3

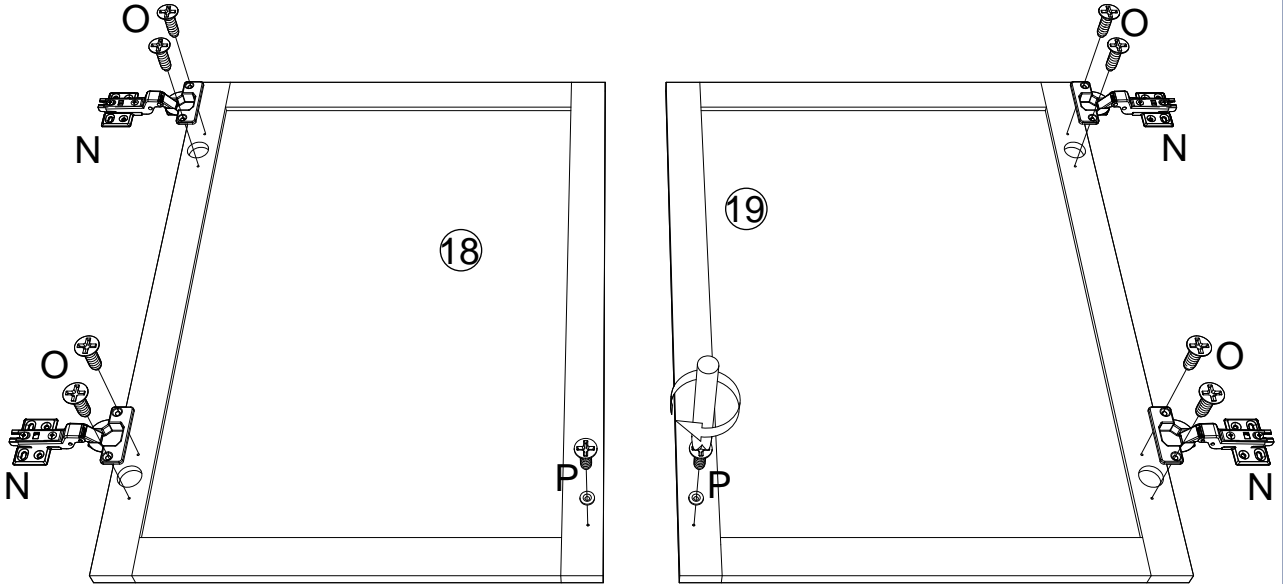
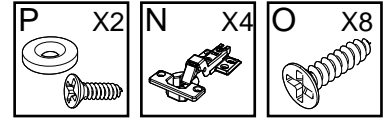
# STEP 25:



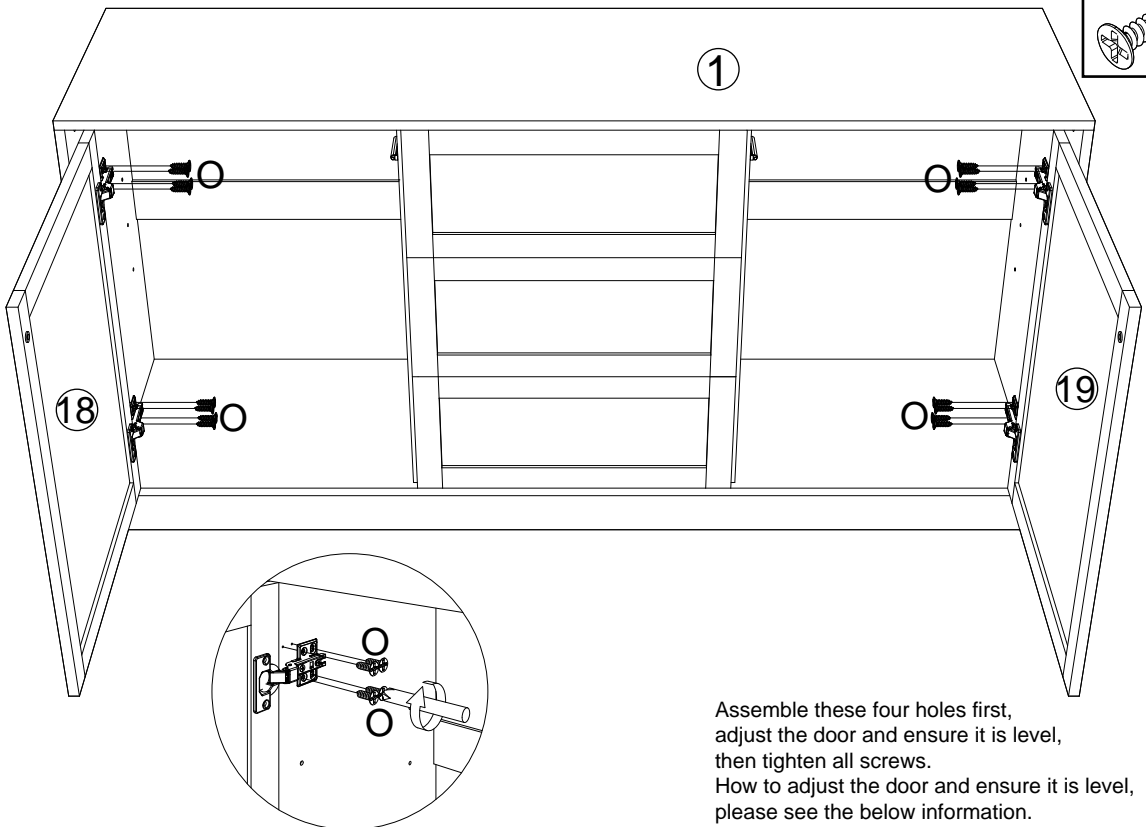
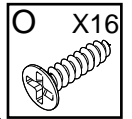
# STEP 26:



# STEP 27:



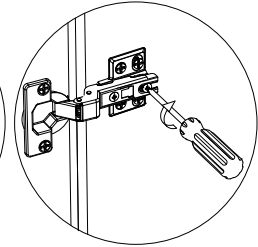
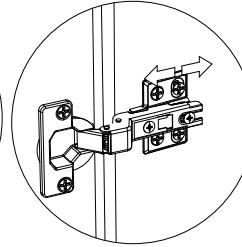
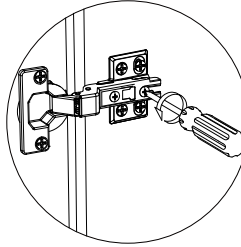
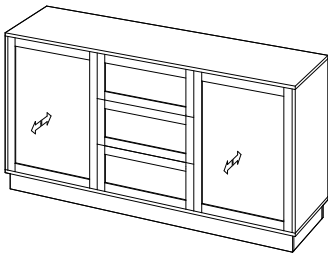
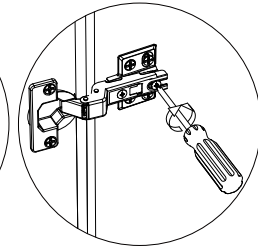
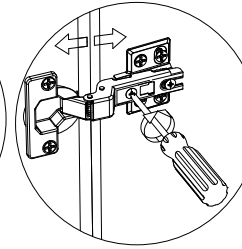
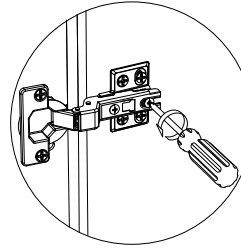
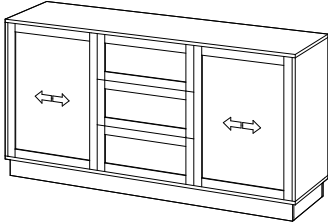
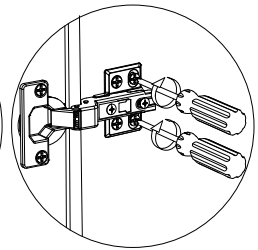
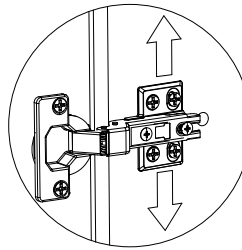
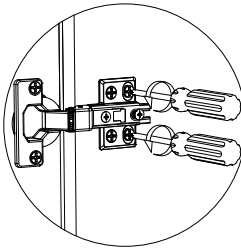
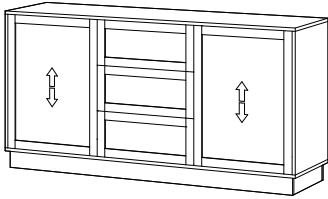
# STEP 28:



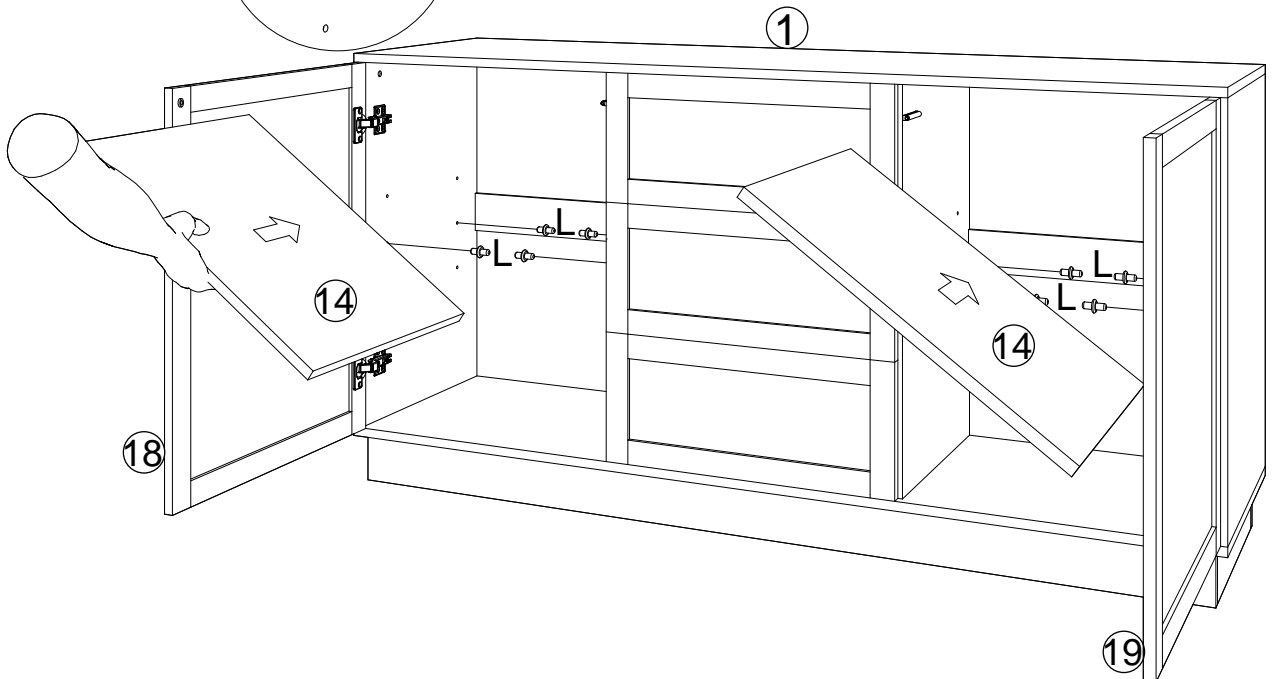
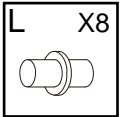
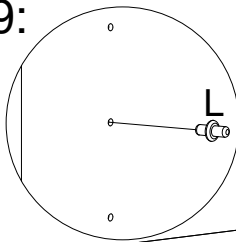
Assemble these four holes first, adjust the door and ensure it is level, then tighten all screws.  
How to adjust the door and ensure it is level, please see the below information.



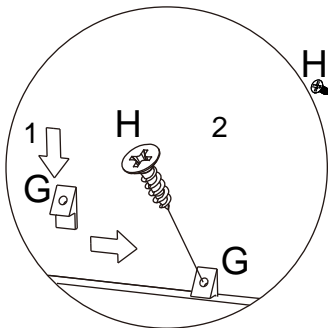
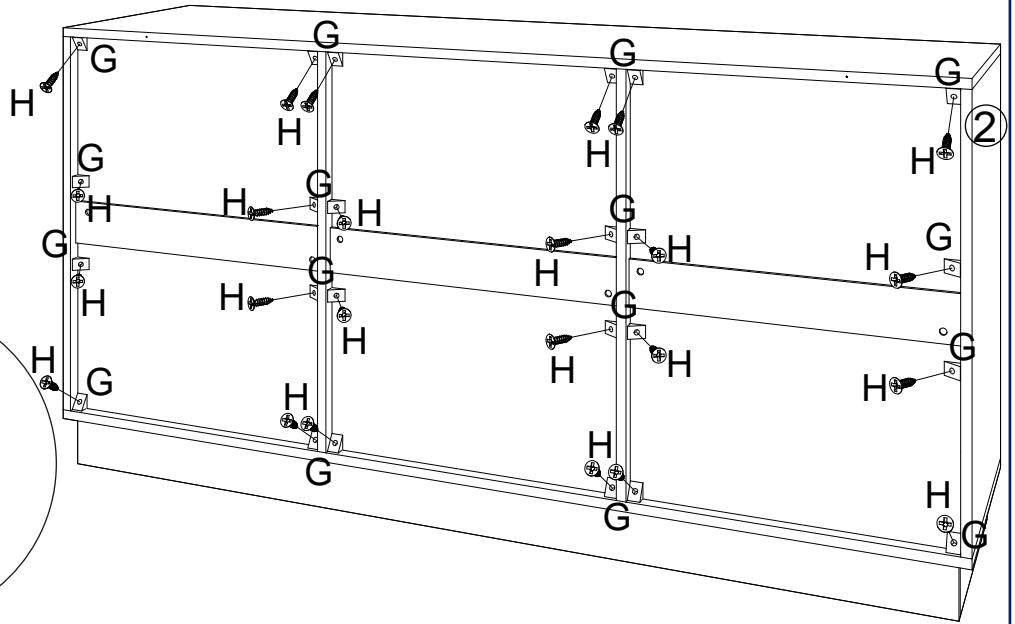
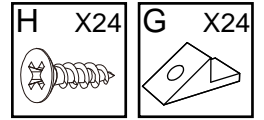
# INFORMATION



## STEP 29:

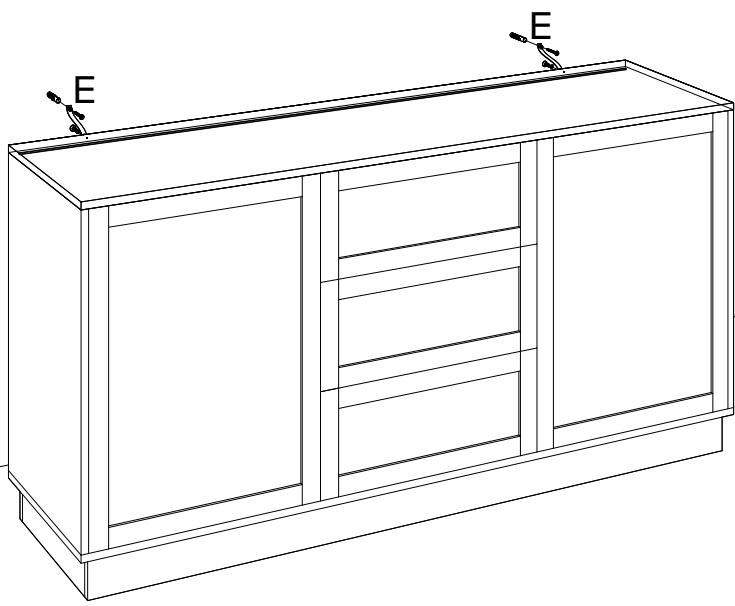
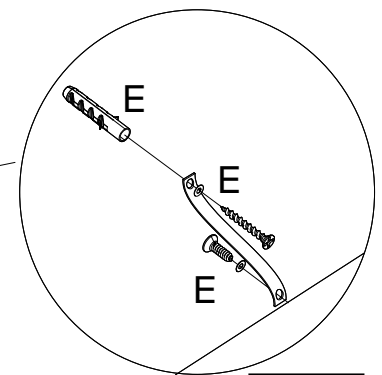
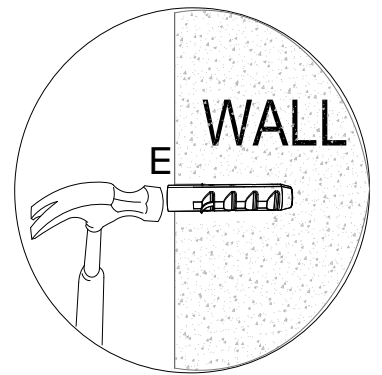


# STEP 30:

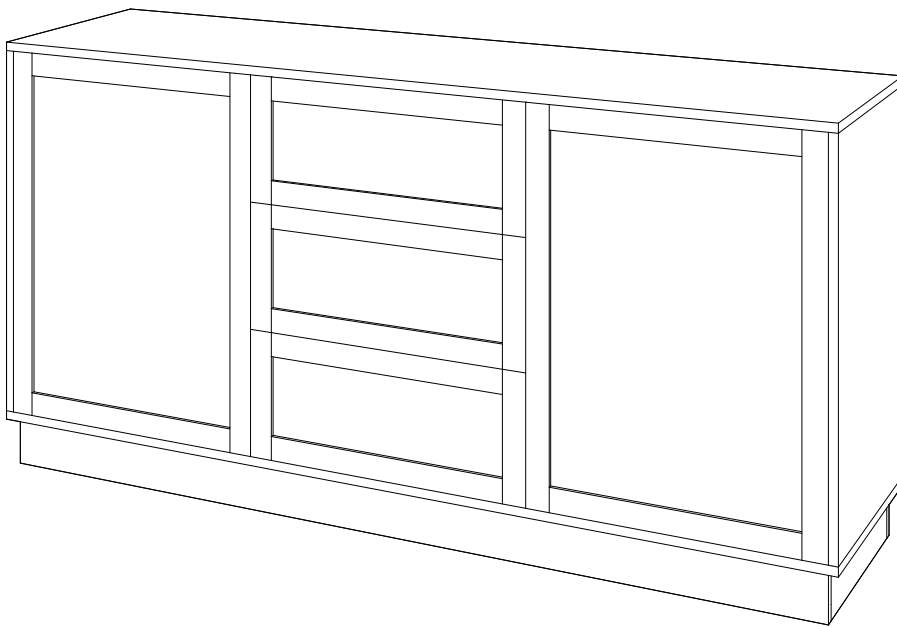


# STEP 31:

# WALL



ASSEMBLY IS COMPLETE



CAUTION: Always Lift Your Furniture When Moving /Relocating - Do Not Drag. Dragging Can Cause The Legs To Bend/Break.

# SAFETY BRACKETS INSTRUCTIONS

1. Attach the strap to the furniture frame with the small screw and washer.
2. Move the furniture to its final position. Attach the strap to the wall with the large screw and washer. If mounting into brick or masonry you will need to acquire wall anchors.
3. Make sure that the strap is firmly attached to the wall and furniture and that the wall strap is snug.

## HARDWARE



Anti-tilt Strap X1



SCREWS X1



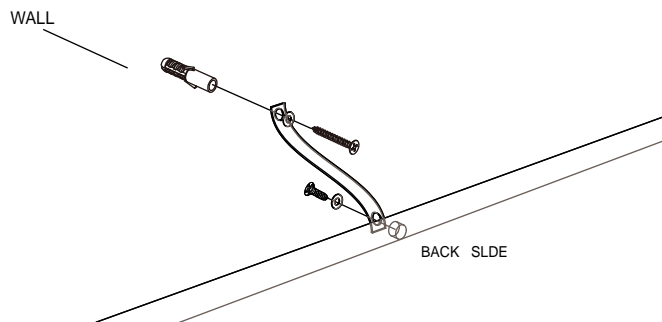
SCREWS X1



Expanded plastic pipe X1



washer X2



## **To protect your furniture, we suggest the following:**

- Avoid placing your furniture in direct sunlight.
- Do not place furniture directly under windows.
- Do not place sharp materials (knife, fork, etc.) directly onto your furniture as sharp material may scrape and damage the finish.
- Do not place material with high temperature directly onto the surface of your furniture.
- Clean up spills quickly. Water left over a prolonged period of time may cause damage. Alcohol, perfume, nail polishes, aftershave and some medication may cause severe finish damage if not cleaned immediately.
- Use a clean, soft, dry, lint free absorbent cloth to clean your furniture. Do not use any detergent as they may contain ingredients that may react and damage the finish.

**NOTE:** If the above care advise is not adhered to your product warranty may become void